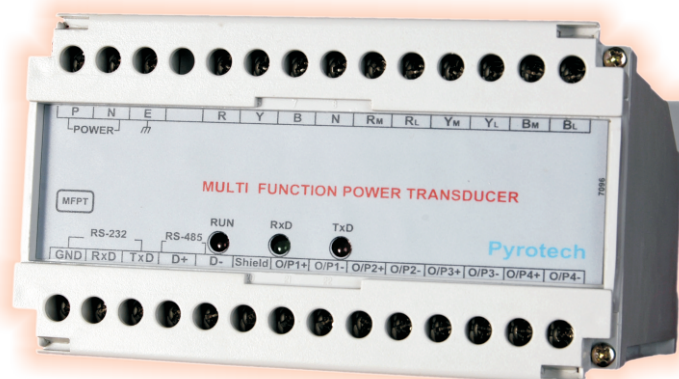


**PYROTECH ELECTRONICS PVT LTD (PEPL) MAKE MULTIFUNCTIONAL POWER TRANSDUCER (MFPT)** is specifically designed for measuring AC power line parameters, like voltage, current, wattage, energy, var, power factor & frequency etc (over 90 parameters measured). This single unit can replace all the discrete single transducers. Besides giving data on RS485/RS232 bus, this also has 4 analog (4-20mA) outputs, which can be configured to any of the measured parameters as optional.

## FEATURES:

- Over 90 Power & Energy parameter.
- Modbus (RTU)/ DNP3.0 protocol.
- Time stamped maximum and minimum parameters.
- Build in RTC (Real time clock).
- True RMS Conversion.
- Field programmable PT/CT Ratio.
- Maximum demand control.
- User definable memory map.
- Temperature range: -25 to 60°C.
- 2 ports: RS485/RS232.
- Wide power supply range.

# MULTIFUNCTIONAL POWER TRANSDUCER



## INPUT

**VOLTAGE :** Maximum 600V(P-P).

**CURRENT :** Maximum two range 1/5A  
a) For 1A rating, 1.2A max.  
b) For 5A rating, 6A max.

### BURDEN:

Voltage < 0.4VA at 600V/phase.  
< 0.04VA at 120V/phase.  
Current < 0.1VA/phase.

### OVERLOAD RATING:

Current : 2 x rated continuous  
25 x rated 2 seconds  
Voltage : 750V Continuous.  
1000V for 10 sec.

## EVENT LOGGER

- 200 time-stamped events.
- Failure in communication.
- Failure in self-test.
- Programming access.
- Power ON/OFF.

## OUTPUT :

- RS485/RS232 Communication (Modbus Protocol).
- 4 Analog outputs available as mentioned below:
  - ▲ 4 isolated analog output 4-20mA /0-20mA (optional).
  - ▲ 4 isolated pulse output (optional).
  - ▲ 2 pulse output & 2 Analog output (optional).

## ACCURACY:

- 0.15% Accuracy for voltage, current & demand current.
- 0.25% Accuracy for power factor, power.
- 0.15% Accuracy for frequency on span.
- 0.5% Accuracy for analog output.
- 0.8% Accuracy for energy.

## POWER SUPPLY:

- 80-260V AC, 50Hz/ 80-330V DC.
- 48 VDC.

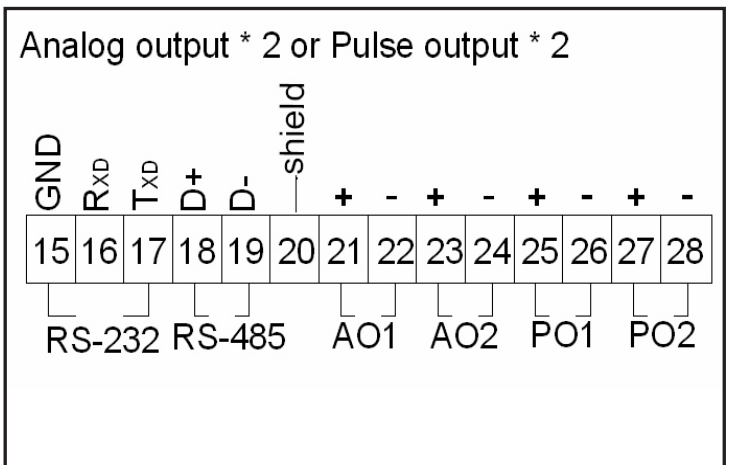
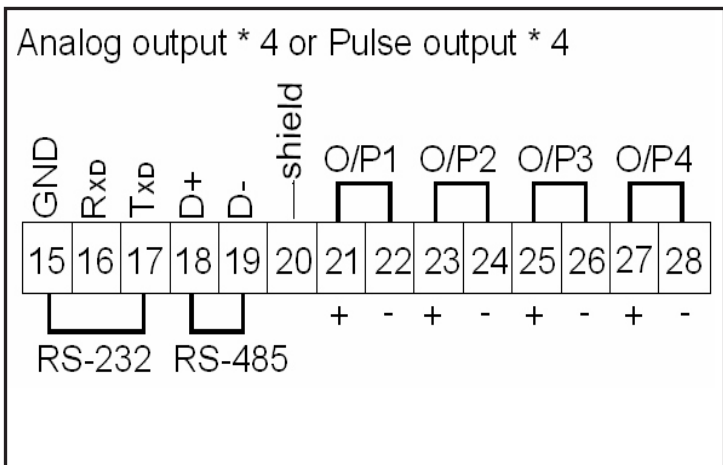
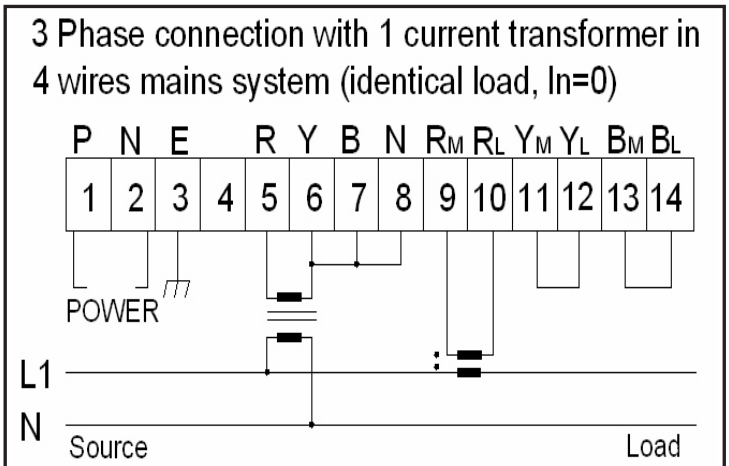
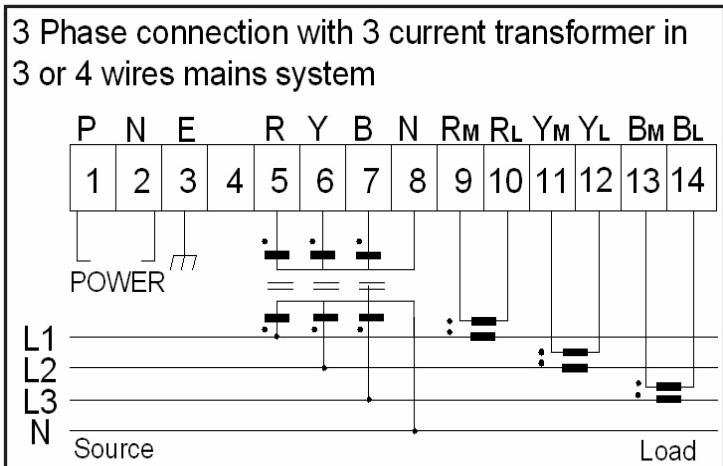
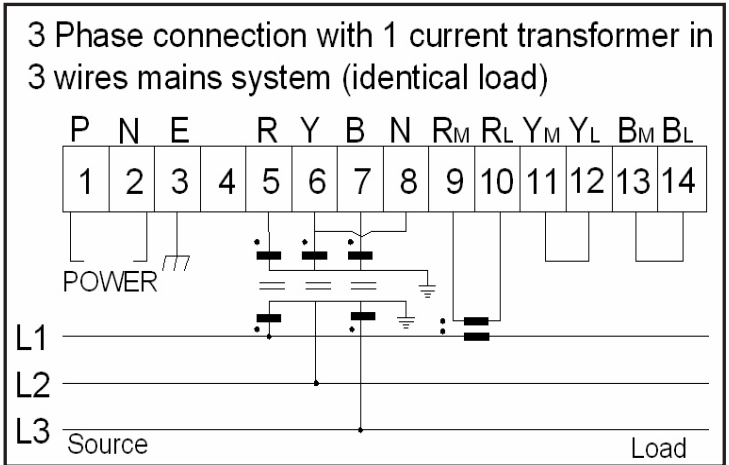
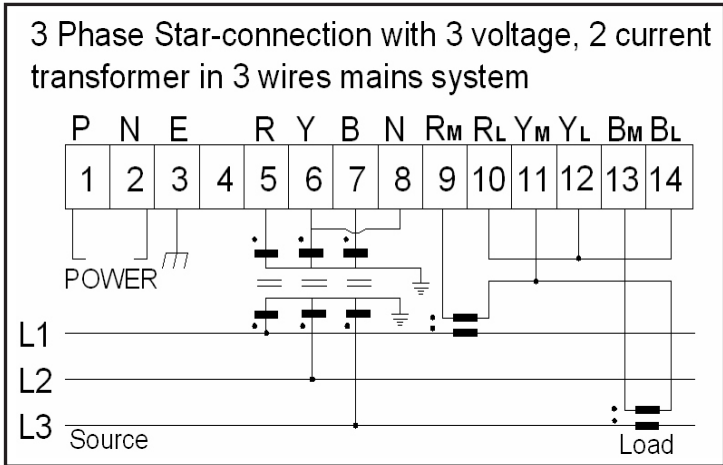
## DIMENSION :

- Mounting : Din Rail
- Housing : ABS
- Size : 134.8 (L) x 70.3 (W) x 147.5(H) mm.

## APPLICATIONS

- For measurements of voltage, current, frequency and all electrical parameters for substation, generators, industries.
- For factory & building automation.
- Sub-billing in malls.
- Power Monitoring of DG set & Motors.

## CONNECTION DIAGRAM



### Contact Details:

**Manufacturing Facilities :**  
**Pyrotech Electronics Pvt. Ltd.**  
 F-16 A, Road No. 3, MIA, Udaipur-313003  
 Ph. : 91-294-2492123-25, Fax : 2492126  
 Email : pyrotech@peplelectronics.com  
 peplcpt@sancharnet.in  
 Web: www.peplelectronics.com

**Branch Offices :**  
 Bangalore-09342530078  
 Baroda-09327226863  
 Hyderabad-09391385939  
 Kolkata-09331019888  
 Raipur-09301446050

**Delhi Office :**  
**Pyrotech Electronics Pvt. Ltd.**  
 405-406, Goverdhan House,  
 53-54, Nehru Place, New Delhi - 110019  
 Ph. : 011 - 46866400 / 26444930  
 Fax : 011 - 26443694  
 Email : pmpl@pyrotechindia.com

**Our Associates :**  
 Kolkata-09339199881  
 Korba-09425532765  
 Mumbai-09322676597  
 Vizag-09848048639  
 Rourkela-09937373434